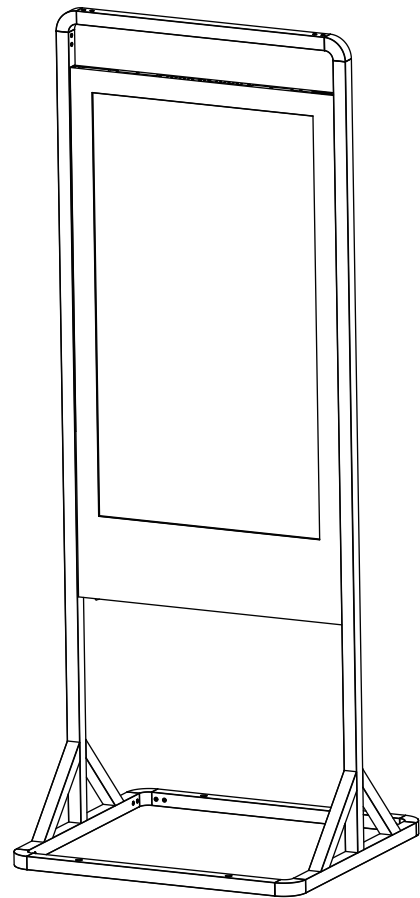


ASLHDSBxx Floor Stand Assembly Guide

- Installation drawings and accessories shall be subject to receipt.
- This Installation guide is for reference only.
- To ensure a secure installation, be sure to firmly tighten the screws.
- To ensure your safety, please adhere to the specified size and weight limits when using it.
- Ensure installation and assembly is done on a flat surface.
- Load-bearing range: 30kg
- Applicable to: 43" 55" ONLY



Parts List

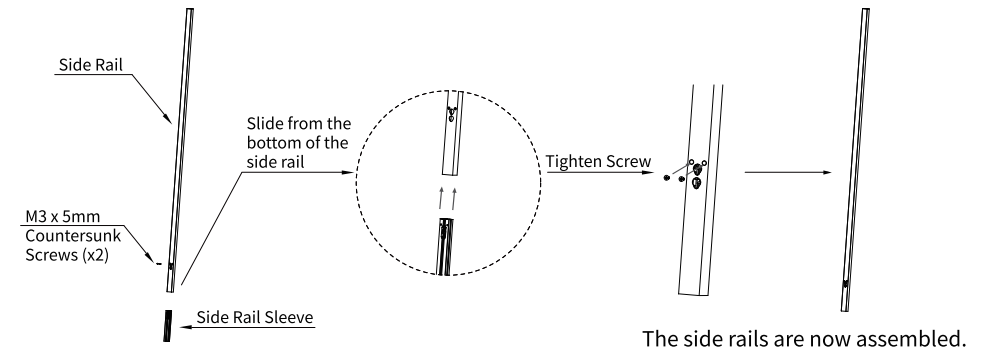
1.Side Rails (x2)	
2.Side Rail Sleeve (x2)	
3.Stand Supports (x4)	
4.Side Rail Base Support (x2)	
5.Corners (x6)	
6.Top Crossbar (x1)	
7.Base Crossbars (x2)	
8.Mounting Stickers (x2)	
9.M3 x 5mm Countersunk Screws (x4)	
10.M6 x 10mm Hex Socket Head Screws (x18)	
11.M4 x 6mm Countersunk Screws (x40)	
12.M3 Hanging Nail Screws (x10)	
13.Quick Install Guide	

Assembly Instructions

1. Creating the Side Rails

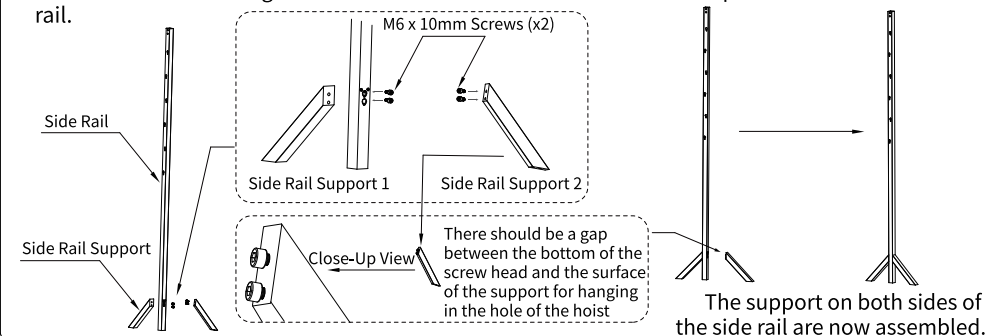
Step 1-1 Side Rail Assembly

Slide the side rail sleeve up from the bottom of the side rail, ensuring it aligns with the screw hole, then secure it by tightening the screw. Repeat this for the other side rail.



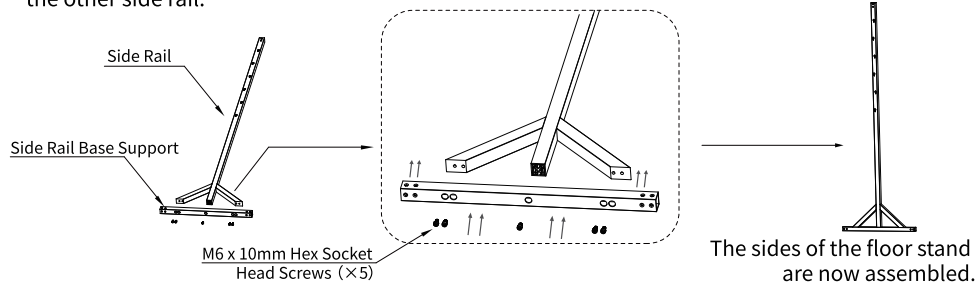
Step 1-2 Side Rail Support Assembly

Screw one the of the side rail supports through the hoist hole on the side of the side rail using two of the M6 x 10mm screws. For the other side, screw two of the M6 x 10mm screws directly into the side rail support ensuring there is a gap between the bottom of the screw head and the surface of the side rail support for hanging in the hoist hole. Carefully insert the side rail support in the hoist hole making sure both screws are inside the hoist hole. Repeat this for the other side rail.



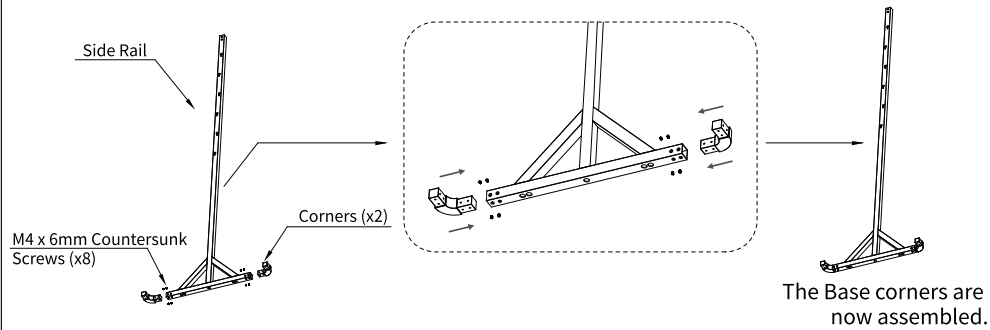
Step 1-3 Side Rail Base Support Assembly

Using Five M6 x 10mm Screws, screw the side rail base support to the side rail. Repeat this for the other side rail.



Step 1-4 Base Corner Assembly

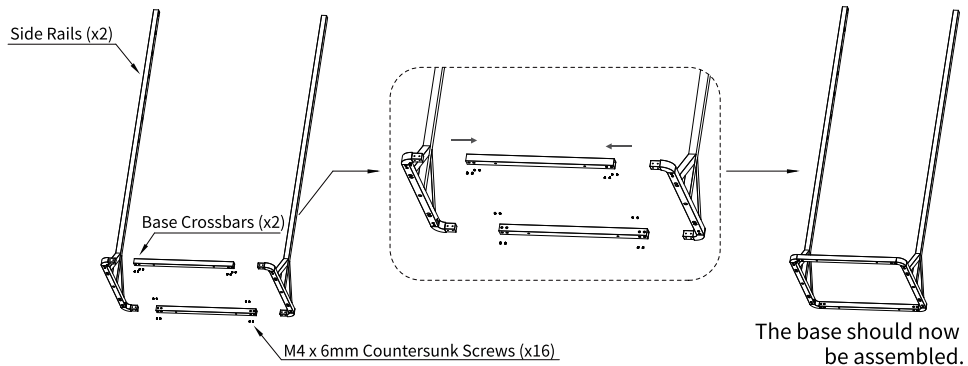
Insert the corner in both ends of the side rail base and secure them using Four M4 x 6mm screws on each end. Repeat this for the other side.



2. Completing the floor stand

Step 2-1 Base crossbar assembly

Insert the bottom cross bars between the corners of each of the side rails and secure them tightly using four M4 x 6mm screws on each corner.



Step 2-2 Top cross bar assembly

Insert the corners into the top cross bar and secure them using two M4 x 6mm screws on each side.

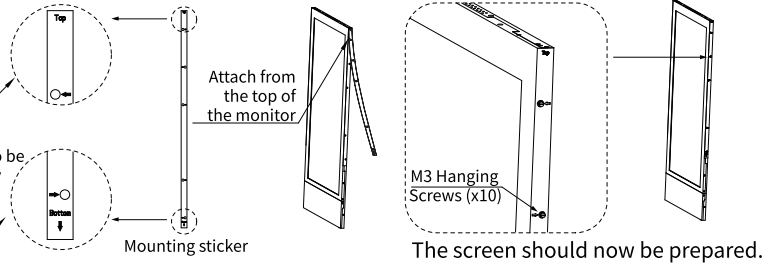


Step 2-3 Getting screen ready to mount.

Install the mounting stickers on the side of the monitor ensuring they are stuck towards the top side of the screen. The arrow symbol on the sticker indicates the position of installing the hanging screw.

Using the hole indication on the stickers, create a hole on the stickers to reveal screws behind the hole.

The screws visible need to be removed and replaced by hanging screws. There should be 5 on each side, a total of 10 screws.



Step 2-4 Screen assembly

Gently pull apart the side rails so that the screen can be placed in the middle of the stand on both sides. Align the hanging screws on both sides of the screen with the mounting holes on the stand. Install the top crossbar by attaching the corners to the side rails ensuring you secure the bar using two M4 x 6mm screws for each side.

